

PRODUCT INFORMATION PACKET

Model No: 5KCR49TN2139U
Catalog No: G1392
2,3450,TEFC,56,1/60/115/230
Totally Enclosed Fan Cooled (TEFC)



Regal and Marathon are trademarks of Regal Beloit Corporation or one of its affiliated companies.
©2018 Regal Beloit Corporation, All Rights Reserved. MC017097E



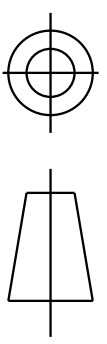
Nameplate Specifications

Output HP	2 Hp	Output KW	1.5 kW
Frequency	60 Hz	Voltage	115/230 V
Current	17.8,8.9 A	Speed	3450 rpm
Service Factor	1.15	Phase	1
Efficiency	78.1 %	Duty	Continuous
Insulation Class	B	KVA Code	G
Frame	56	Enclosure	Totally Enclosed Fan Cooled
Overload Protector	MAN	Ambient Temperature	40 °C
Drive End Bearing Size	6203	Opp Drive End Bearing Size	6203
UL	Recognized	CSA	Yes
CE	N		

Technical Specifications

Electrical Type	Capacitor Start Capacitor Run(CSCR)	Starting Method	SM
Poles	2	Rotation	Counterclockwise/Clockwise
Mounting	Rigid base	Motor Orientation	Any
Drive End Bearing	BALL	Opp Drive End Bearing	BALL
Frame Material	Rolled Steel	Overall Length	14.27 in
Frame Length	8.99 in	Shaft Diameter	0.630 in
Shaft Extension	1.88 in		
Outline Drawing	52A109627P1	Connection Diagram	52A105383BF

This is an uncontrolled document once printed or downloaded and is subject to change without notice. Date Created: 06/29/2018



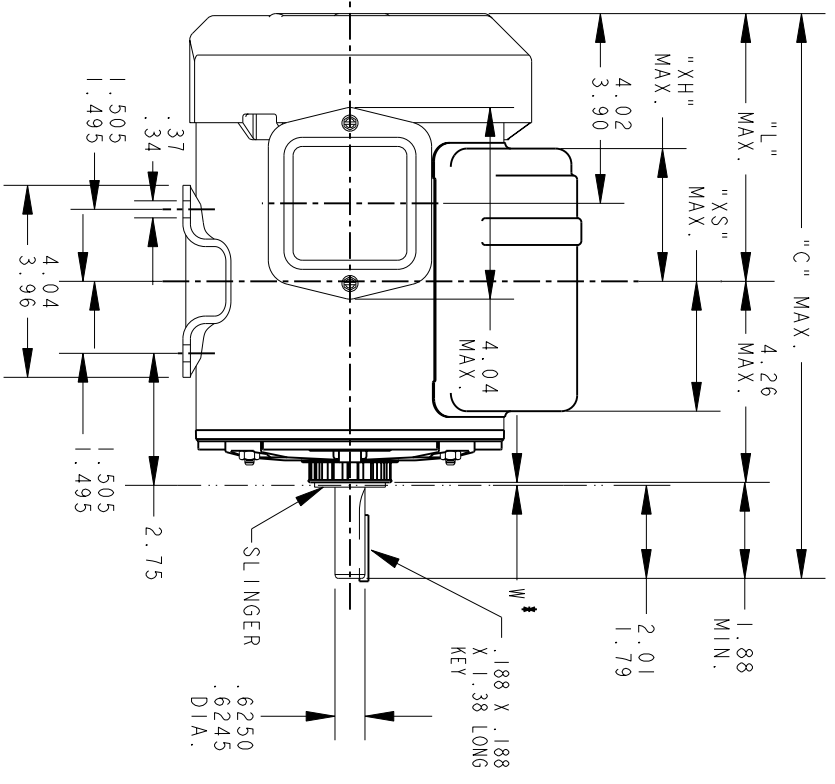
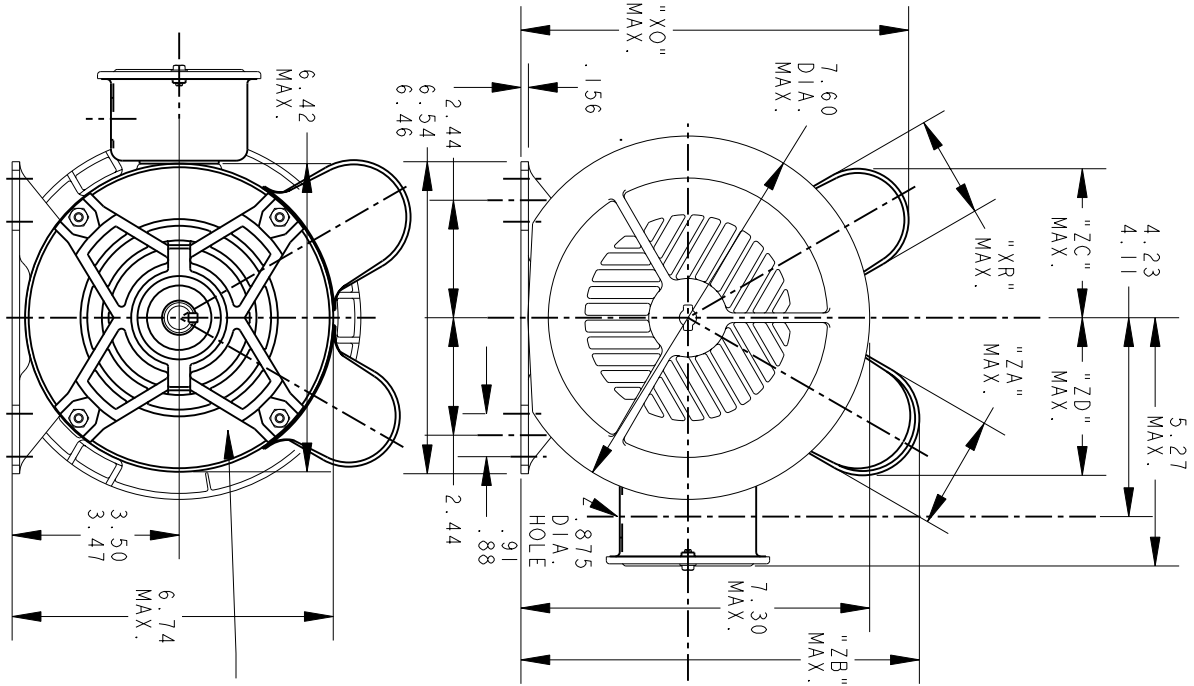
THIRD ANGLE PROJECTION

REVISIONS

REV.	DESCRIPTION	DATE	APPROVED
1	PER ISAAC 05-2899	12/05/05	RAJKUMAR

52A109627 1

DRAWING NO. A



* W IS A VARIABLE CLEARANCE DUE TO VARIATIONS IN PARTS AND ASSEMBLY

CONTINUATION OF 52A107728

VIEW OF P.E. END SHIELD

ALL DIMENSIONS ARE IN INCHES

I	KCR	49	56	14.27	8.12	4.17	8.14	2.10	1.54	2.22	8.31	3.12	3.25	8.99	
P	TYPE	GE	NEMA	"C"	"L"	"XH"	"XO"	"XR"	"XS"	"ZA"	"ZB"	"ZC"	"ZD"	MIN. SHELL	
SIZE		FR.		FR.		FR.		FR.		FR.		FR.		FR.	

REGAL-BELOIT CORPORATION

OUTLINE

GENERAL PURPOSE MOTOR - TEFC - BALL BEARING - WELDED BASE
FMF - 40 FRAME REDESIGN

SIGNATURES		DATE
MODEL		
DETAIL	M.D. PARE	06/01/94
CHECKED		
ENGRG		
MFG		
QUALITY		
ISSUED	M.D. PARE	06/01/94
FOR ADDITIONAL INFO REFER TO:		
APPLIED PRACTICES		
DIMENSIONS ARE IN INCHES		
MATERIAL	SOLID MODEL: 52A109627	

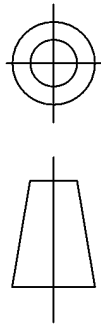
TITLE	SIZE	SCALE	REF. No.	SHEET
GENERAL PURPOSE MOTOR - TEFC - BALL BEARING - WELDED BASE FMF - 40 FRAME REDESIGN	DRAWING	0.250		1 of 1
52A109627	A			

REV	SHEET
1	1

REV.	DESCRIPTION	DATE	APPROVED
1	FORMAT CHG TO RBC PER ISO5-1777	05/24/06	SHIRISH

This document is the property of REGAL-BELOIT CORPORATION ("RBC") including its subsidiaries and divisions and contains proprietary information of RBC. This document is loaned on the express condition that neither the recipient nor any other person shall disclose, disseminate, or otherwise make available to any third party the contents hereof without the prior written consent of RBC. This document shall be returned to RBC upon its request. This document may be subject to certain restrictions under U.S. export control laws and regulations.

THIRD ANGLE PROJECTION

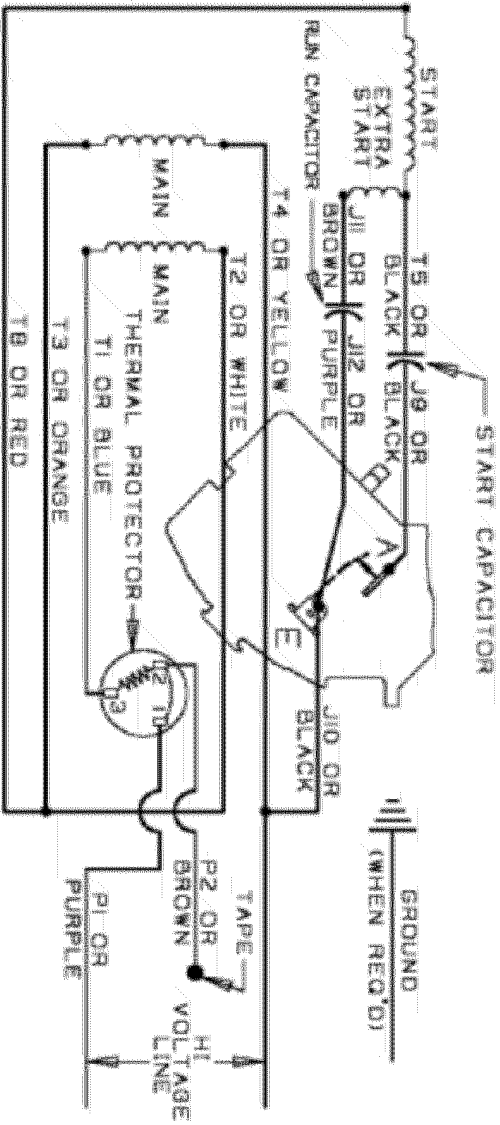
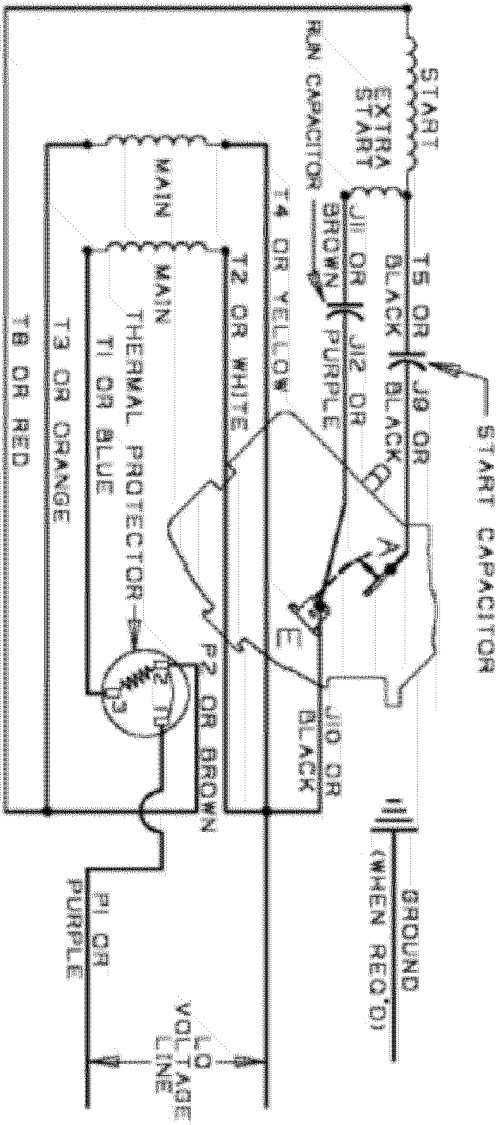


CCW/CW ROTATION - DUAL VOLTAGE
TYPE KCR - WITH THERMAL PROTECTOR

52A105383BF

DRAWING NO.

A



NOTE#1 - TO REVERSE ROTATION, INTERCHANGE T8 RED AND J10 BLACK LEADS.
NOTE#2 - WHEN MORE THAN ONE CAPACITOR IS USED, CONNECT IN PARALLEL.

SWITCH (H) - 1150958AA
CONNECTION LABEL - 52X332912



REGAL-BELOIT CORPORATION

TITLE
CONNECTION DIAGRAM

First made for - 30 FR. SWITCH REDESIGN

FOR ADDITIONAL INFO REFER TO:	SIGNATURES	DATE
APPLIED PRACTICES	MODEL B. JOHNSON	08/19/91
DIMENSIONS ARE IN INCHES	DETAIL	
TOLERANCE ON:	CHECKED	
1 PL DECIMALS ± 0.1	EMERG	
2 PL DECIMALS ± 0.01	MFG	
3 PL DECIMALS ± 0.005	QUALITY	
ANGLES ± 0.5	ISSUED	08/19/91
FRACTIONS ±	B.L.J.	
FINISH	SOLID MODEL: MODEL NAME	

SIZE	DRAWING	REV
A	52A105383BF	1
SCALE:	DRAWING SCALE	SHEET 1 of 1